



SULZER

MIXPAC™ DP2X 200/400

Pneumatic 2-Component Multi-Ratio Dispenser

MIXPAC™ System Approach

The MIXPAC™ System components including mixer, cartridge and dispenser are designed to fit perfectly together and to provide the best user experience.

A coded interface and separated outlets of mixers and cartridges help to prevent cross-contamination. Consequently, curing of the material within the cartridge is avoided and waste reduction is achieved. The coded interface and bayonet ring allow intuitive removal of the nose plug and easy re-installation for later use.

To complete the system, choosing an appropriate dispenser from our portfolio will ensure safe operation within the limits of the selected cartridge and mixer combination.

Working with the user-friendly and safe MIXPAC™ system will provide reproducible and repeatable results and ensures superior mixing quality.

Benefit from our application expertise and let us support you in choosing the ideal solution.



Innovation in Application



SULZER

MIXPAC™ DP2X 200/400

Enjoy precision - feel the comfort

Innovation in Application



Headquarters / Europe

Sulzer Mixpac Ltd
Ruetistrasse 7
9469 Haag
Switzerland
phone +41 81 414 70 00
fax +41 81 414 70 01
mixpac@sulzer.com
www.sulzer.com

USA, South America, Canada and Mexico

Sulzer Mixpac USA Inc.
8 Willow St.
Salem, NH 03079
USA
phone +1 603 893 2727
mixpac@sulzer.com
www.sulzer.com

UK and Ireland

Sulzer Mixpac (UK) Ltd.
1 Tealgate, Charnham Park
Hungerford, Berkshire, RG17 0YT
United Kingdom
phone: +44 1488 647 800
coxsales@sulzer.com
www.coxdispensers.com

Asia Pacific

Sulzer Mixpac China
68 Bei Dou Lu, Minhang
Shanghai 200245
China
phone +86 21 6430 68 68
mixpac@sulzer.com
www.sulzer.com

Legal Notice: This brochure is a general presentation. The information contained in this publication is believed to be accurate and reliable but is not to be construed as implying any warranty or guarantee of performance. We waive any liability and indemnity for effects resulting from its application. Please, contact us for a description of the warranties and guarantees offered with our products. Directions for use and safety will be given separately. All information herein is subject to change without notice.
© Sulzer 2020

APS_AD_MX_FLY_DP2X_1219_en

MIXPAC™ DP2X 200/400

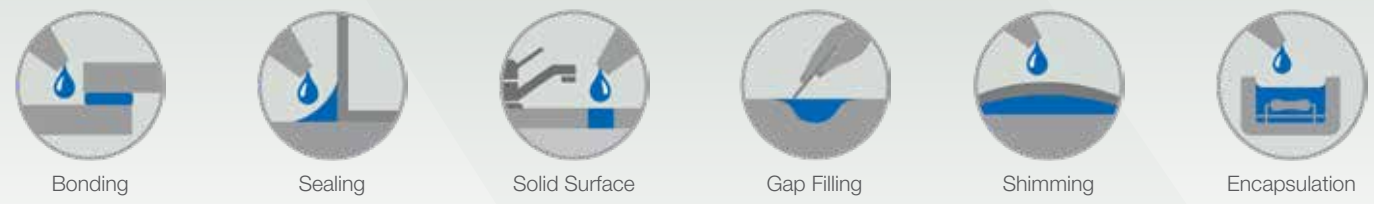
Pneumatic 2-Component Multi-Ratio Dispenser



- Extraordinary Precision**
Drip-free dispensing: Highly precise dosing result thanks to the quick air exhaust.
No off-ratio*: Stable rods and rigid tool frame provide support for superior mixing and dispensing performance.
- Full Control**
Acting instantly: Dispenser immediately achieves its maximum pressure - no power lag.
Outstanding accuracy: Integrated regulator enables fine-tuning of the material flow rate.
- Flexibility**
The all-in-one solution: Conversion kits** allow 1:1, 2:1, 4:1 and 10:1 cartridges to be used in the same MIXPAC™ DP2X dispenser instead of using four separate dispensers; universal trays will also fit the manual MIXPAC™ DM2X tool.
- Ergonomics**
Fatigue free handling: Enjoy working for longer periods thanks to improved tool balance and up to 35% less weight than comparable dispensers.
Ease of operation: New designed trigger and return button are easily accessible with one hand.
- Safety & Durability**
Built to last: High specification components used to ensure strength and stiffness, even in the harshest environments.
Work in silence: The built-in silencer enables quiet operation.

Applications

The new comfortable and flexible pneumatic MIXPAC™ DP2X 200 and DP2X 400 dispensers are ideal for a wide range of applications.

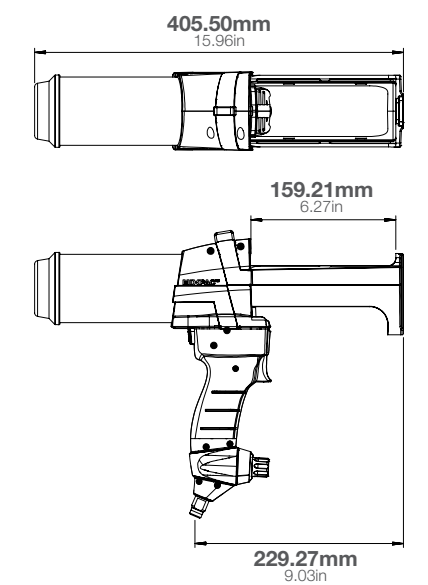


MIXPAC™ DP2X 200/400

Product Specifications

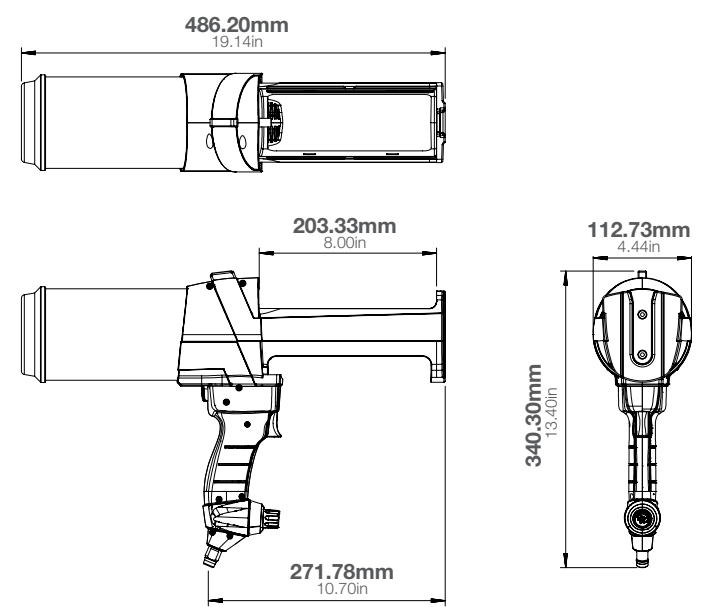
DP2X 200 Specifications

- Weight 1.76kg / 3.87lbs
- Length: 406mm / 15.9in
- Maximum thrust: 2.5kN
- Tool material: cast aluminium and reinforced nylon
- Cartridge capacity: 200mL
- Cartridge ratio: 1:1/2:1/4:1/10:1
- Air inlet: 1/4in NPT
- Max operating pressure: 6.8 bar/100 psi



DP2X 400 Specifications

- Weight 2.66kg / 5.87lbs
- Length: 486mm / 19.1in
- Maximum thrust: 5.0kN
- Tool material: cast aluminium and reinforced nylon
- Cartridge capacity: 400mL
- Cartridge ratio: 1:1/2:1/4:1/10:1
- Air inlet: 1/4in NPT
- Max operating pressure: 6.8 bar /100 psi



Part number:	Article number:	Ratio			
		1:1	2:1	4:1	10:1
DP2X 200-01-25-01	165860	✓	✓		
DP2X 200-04-25-01	165861			✓	
DP2X 200-10-25-01	165862				✓

Conversion kits (include cartridge tray and plunger disks)

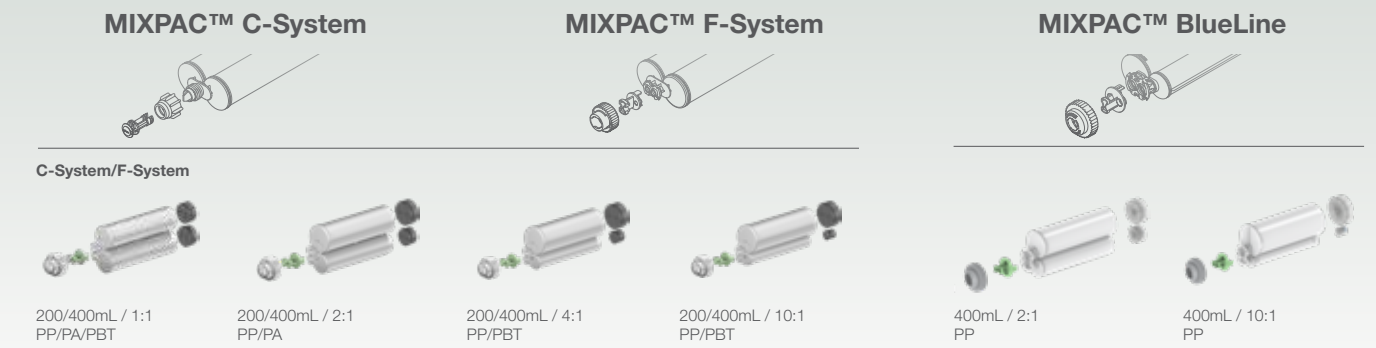
CKX 200-01-01	165834	✓	✓		
CKX 200-04-01	165835			✓	
CKX 200-10-01	165836				✓

Part number:	Article number:	Ratio			
		1:1	2:1	4:1	10:1
DP2X 400-01-50-01	165864	✓	✓		
DP2X 400-04-50-01	165865			✓	
DP2X 400-10-50-01	165866				✓

Conversion kits (include cartridge tray and plunger disks)

CKX 400-01-01	165839	✓	✓		
CKX 400-04-01	165840			✓	
CKX 400-10-01	165841				✓

Compatible cartridges



* depending on material viscosity and environmental conditions
 ** conversion kits sold separately